



LEONARDO HD comes with all-steel chassis and canopies and integrated fork lift pockets. It's designed to be used in the harshest environments and features active pothole protection for an increased ground clearance, preferred in the contracting environment.

Tailor-made to the operator's and contractor's needs in the building industry, the LEONARDO HD eliminates the need for scaffolding, scissor lifts and normal push-around units. No more ladders, no outriggers, no hassles. One man can easily do a job safely, quickly and efficiently.

PORTABLE

With Leonardo HD, the user can travel all over the site with ease-through doorways, up access ramps and into tight spaces-thanks to the extremely compact size of this platform and 35% gradeability.

Weighing only 508kg, it is compact and light enough to enter most elevators to reach the top floors of high buildings in no time at all.

Drivable through standard doorways, without the operator leaving the platform.

SAFE

Driveable at its full 4.9m working height with the maximum load and the platform completely extended at an automatic slow speed. No more exhausting mounting on and off the platform or scaffold to push it into the right position!

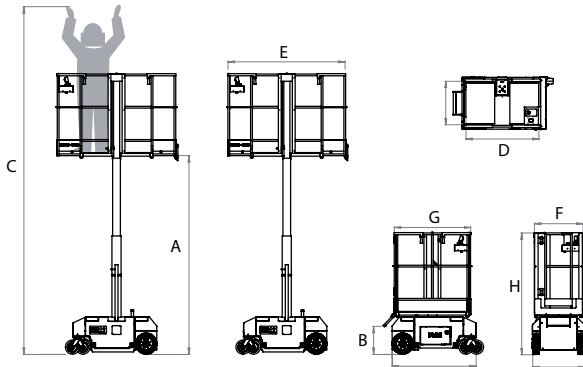
Unrestricted capacity 180kg reduce the need to climb up or down to load material.

Built-in tilt sensor, flashing light, audible alarm and active pot-hole protection are all standard features.

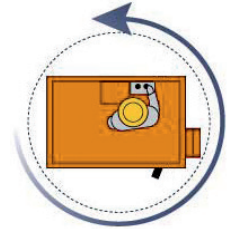
DURABLE

Simple, trouble-free and cost effective, the Leonardo range of products is the result of 15 years technical improvement. Maintenance-free lifting mast, carefully selected components and extremely simple design make for low cost servicing; other than controlling the water level in the batteries, all our Leonardo models are virtually maintenance-free.





**ZERO Inside Turning Radius
and 1000mm Outside
Turning Radius**



MEASUREMENTS		
Platform Height	A	2900 mm
Entry Step	B	400 mm
Working Height	C	4900 mm
Platform Width		680 mm
Platform Length	D	1115 mm
Platform Length W/decks ext	E	1700 mm
Width	F	739 mm
Length Stowed	G	1192 mm
Height Stowed	H	1727 mm
Platform Capacity w/ decks ext		180 kg
Ground Clearance		35 mm
Rated Number of Occupants	CE	1
Rated Number of Occupants	ANSI	2
PERFORMANCE		
Drive Speed Stowed		3 km/h
Drive Speed Elevated		0.6 km/h
Inside Turning Radius		Zero
Outside Turning Radius		1050 mm
Gradeability		35%
Raise/Lower Speed		16 / 21 sec
Controls		One Hand Proportional Controller
Tires		Solid Rubber, Non Marking
Front Wheel: diameter / width		200mm/ 70mm
Rear Wheel: diameter / width		300mm / 90mm
POWER		
Power Source		110/220 V ca 24 V 12 Ah automatic
Batteries		2 - 12V 85 Ah
Hydraulic System Capacity		20lt
Unit Weight	CE	508 kg
Unit Weight	ANSI	550 kg
STANDARD COMPLIANT		Ansi A92.6, CE Compliant, AS1418.10 (int)



Wheel locking device allows you to drive forward and backward in a straight line when accessing narrow aisle. Dual Roll Out Decks-provide outreach at both ends without sacrificing any platform capacity. Swing entry gate with stainless steel hinges and removal of entry toe-board allows easier access.



High cycle batteries allow 250 operation on one charge: enough duty cycle for even the hardest of work days and more. Large LCD screen in the ground module to show system status and diagnostic.



An extremely rugged, ultra-compact Joystick with ergonomically designed handle and trigger style safety switch—enables easier use with gloved hands!



All-steel chassis design, with heavy-duty winch, tie down and lifting points-making life easier for Transportation! Built in tilt-sensor & active pothole protection for an increased ground clearance.



Wide drive and steer wheels—for reduced ground pressure and increased traction on tough job sites.



The mast made of a special extruded aluminium is 100% maintenance free! No more chains to be regularly inspected, no more grease or lubricant required, no maintenance: a real low cost ownership!