

Lui 460



The latest in technology promotes safety and dependability through its design.

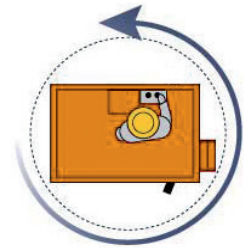
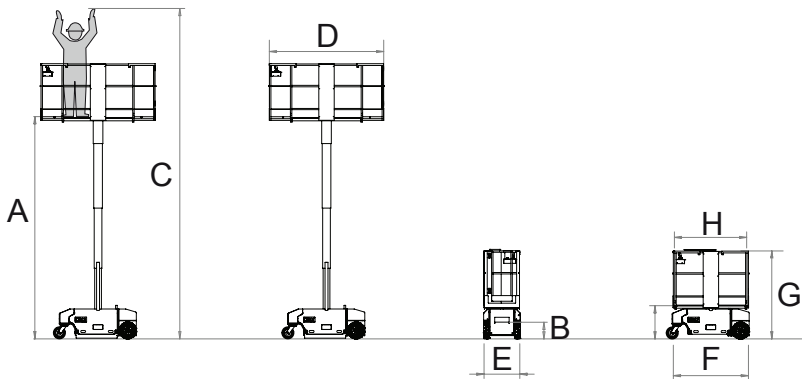
The LUI 460 eliminates the need for scaffold, scissor lifts and push around units. No ladders, no outriggers, no carrying parts, no hassles! One man (though rated for two) can easily do the job safely, quickly and efficiently.

Ready to take on the most demanding rental fleet challenges, the LUI 460 is ruggedly built and durable, while maintaining a high degree of mobility.

Its unique platform, mast and cylinder design allows an unheard of unrestricted platform capacity of 280kg, with or without the extension of both decks.



 **TOYOTA**
MATERIAL HANDLING



**ZERO Inside Turning Radius
and 1590mm Outside
Turning Radius**

| MEASUREMENTS | | |
|--------------------------------|---|---|
| Platform Height | A | 4620 mm |
| Entry Step | B | 340 mm |
| Working Height | C | 6620 mm |
| Platform Width | | 680 mm |
| Platform Length W/decks ext | D | 2376 mm |
| Width | E | 760 mm |
| Length Stowed | F | 1560 mm |
| Height Stowed | G | 1855 mm |
| Base Length | H | 1659 |
| Platform Capacity w/ decks ext | | 280 kg |
| Ground Clearance | | 100 mm |
| Rated Number of Occupants | | 2 |
| PERFORMANCE | | |
| Drive Speed Stowed | | 3 km/h |
| Drive Speed Elevated | | 0.6 km/h |
| Inside Turning Radius | | Zero |
| Outside Turning Radius | | 1590 mm |
| Gradeability | | 35% |
| Raise/Lower Speed | | 25 / 16 sec |
| Controls | | One Hand Proportional Controller |
| Tires | | Solid Rubber, Non Marking |
| POWER | | |
| Power Source | | 24 V c.c. |
| Batteries | | 4 -6V; 245 AH@20h |
| Unit Weight | | 1250 kg |
| STANDARD COMPLIANT | | Ansi A92.6, CE Compliant, AS1418.10 (int) |

Able to drive through standard doors without having to leave the platform.

With 35% gradeability, it can easily climb a ramp or over beavertails into a truck, van, or pickup.

It also features a tow hook for roll-back trucks, all accomplished while using a removable platform control box.

Wheel-locking device allows driving forward/backward in a straight line. Dual platform decks extend without sacrificing any platform capacity.

Powered by 4 TROJAN 6 volt batteries that produce a duty cycle of over 460 lift cycles or the ability to drive in excess of 9km, then easily recharged in hours using its on-board charger. These High Amp batteries provide enough duty cycle for even the hardest of work days and more.

Large LCD readout in the ground module provides system diagnostics and status.

With its rugged ultra compact and versatile design, our one hand proportional control creates precise and safe operations and withstands all the demanding rental applications.

Platform entry is achieved using a step 340mm off the ground and then through a single style swing gate.

Built in tilt sensor, flashing light and audible alarm are all standard features.